

CoolAir

Comfort Beyond Comprehension



"CoolTime" Ductless Mini Split HVAC ✓

9000-24000 BTU ✓

Superior Energy Efficient - 19 SEER ✓

Wi-Fi Feature ✓



Introduction

CoolTime by CoolAir Inc. is the premier wall mounted heating, cooling, & ventilating (HVAC) solution. The CoolTime ductless HVACs is a complete air condition solution for single zone temperature control. Elegantly but practically designed to fit in any space, these sleek models can be installed anywhere even in small rooms. Conveniently available in four different capacities (9000 BTUs, 12000 BTUs, 18000 BTUs & 24000 BTUs) to suit all requirements.

The CoolTime series HVAC is very cost effective and energy saving with a remarkable 19 SEER rating. Our DC Inverter technology makes it highly competitive in efficiency and energy conservation. The use of R410A refrigerant makes it low in carbon emission and eco-friendly. CoolAir Inc. is affiliated with California Energy Commission and Environmental Protection Agency USA to manufacture energy conserving HVACs. The CoolTime series is highly reliable and durable with ETL and AHRI certification for quality control and standards in US and Canada.



Significant Features



Quick cooling / Heating

Turbo Mode provides quick cooling or heating to your desired temperature with the touch of a button.



WIFI Automation

The CoolTime series HVAC is a smart appliance that is WIFI enabled. Once the Wi-Fi kit is installed into the indoor unit, gain full control over your HVAC(s) with our Smart App.



Follow ME Function

Through the Follow Me function, the CoolTime series HVAC will sense where you are and push air towards your direction. You will be the main object of attention as the air flowing from the CoolTime "follows you".



Anti-Fungal Function

The CoolTime HVAC systems are equipped with a built in anti-fungal feature that eliminates the accumulation and generation of fungus inside the indoor unit.



Dual Control System

Control your HVAC system with the battery operated remote control or through the use of our "NetHome Plus" Smart App.



Whisper Quiet Performance 20 dB (A)

Our Silence Mode combines air regulation and innovation ensuring maximum relaxation without disruption. Achieve whisper quiet performance with the Silence Mode, as low as 20 dB(A).



4D Air Flow/Auto Swing

4D air deflectors in the CoolTime HVAC series are excellent in spreading equal airflow throughout the room. Optimized auto swing is available for a nonstop 4D air flow without interruption.



Dehumidifying Mode

Do more than just regulate air temperature by utilizing the Dehumidifying Mode. This feature freshens, purifies, and de-moisturizes the air around you.

Easy-To-Use Features



Programmable Timer (24 Hour On/Off)

A pre-programmed timer can be set for the on/off schedule of the HVAC system through the remote or Smart App.



Sleep Mode

Sleep Mode will periodically adjust the temperature of the HVAC while you are asleep. This feature provides an optimal sleeping environment while saving energy.



Multiple Fan Speeds

The CoolTime series HVAC is cost effective and energy efficient. With a 19 SEER rating, our DC Inverter technology is highly competitive with other name brands.



8°C Heating

The 8°C Heating function maintains a consistent 8 degrees Celsius temperature in extremely cold weather to prevent freezing of rooms during the winter season.



Inverter Technology

The CoolTime series HVAC is cost effective and energy efficient. With a 19 SEER rating, our DC Inverter technology is highly competitive with other name brands.



Low Voltage Start Up

Unlike simple air conditioners, the CoolTime HVAC series do not need a high voltage to start-up. Power input to startup is as low as 15W in ideal conditions.



Single Zone Control

CoolTime HVACs are individually operated. If multiple units are installed in your home, there is no need to turn on units in unoccupied rooms. Only have on what you need.



Automatic Temperature Detection

- Automated cooling/heating according to pre-set temperatures and modes.
- Dual thermal sensors detect change in room temperature and adjusts accordingly.



Easy to Install

Enjoy an easy installation process as the CoolTime HVACs are ductless. Only an indoor and outdoor unit need to be installed. Ductless technology cuts the lengthy and costly process of tradition ducted systems. The indoor and outdoor unit can be installed without professional help in a day.



360° Remote Control

Wirelessly control your CoolTime series HVAC system allowing you to operate from any corner of the room.

Accessory

Drain Kit
Indoor Mounting Plate
Linset Kit (15 Feet Pipe Set & 20 Feet 4X16AWG)
Wireless Remote Controller
Remote Controller Holder
Clip Anchor
2 Roles of Seal

Limited Warranty

1 Year On Parts
5 Years on Compressor

Safety & Certification

Safety:

- Compressor Overload Sensor
- Crankcase Heating
- Current Transformer
- Indoor Unit Terminal Block Thermal Fuse
- Over-Voltage Protection
- PCB Fuses
- Temperature Limit Protection Logic

Certification:

- AHRI
- ETL & ETL Canada

Specification Data Chart

| Model | System Model Number | | CA09-19 | CA12-19 | CA18-19 | CA24-19 |
|------------------------|--|----------------|--|----------------------------|----------------------------|----------------------------|
| | Evaporator Model Number | | CA09-ID-19 | CA12-ID-19 | CA18-ID-19 | CA24-ID-19 |
| | Condenser Model Number | | CA09-OD-19 | CA12-OD-19 | CA18-OD-19 | CA24-OD-19 |
| | Zoning Capacity | Zoning | Single | Single | Single | Single |
| Cooling | Rated Capacity | BTU/Hour | 9000 | 12000 | 18000 | 24000 |
| | Min - Max Rated Capacity | BTU/Hour | 3600 - 10300 | 3700 -13000 | 4500 - 18500 | 6850 - 24500 |
| | Power Input (Nominal) | Watt | 782 | 1020 | 1645 | 2500 |
| | Current Input (Nominal) | Amps | 6.80 | 8.87 | 7.35 | 11.0 |
| | SEER (Seasonal Energy Efficient Ratio) | BTU/Watt | 19 | 19 | 19 | 17 |
| | EER (Energy Efficient Ratio) | BTU/Watt | 11.5 | 10.5 | 11.0 | 9.50 |
| Heating | Rated Capacity | BTU/Hour | 10000 | 12000 | 18000 | 24000 |
| | Min - Max Rated Capacity | BTU/Hour | 3500 - 10900 | 3600 - 13500 | 4600 - 19000 | 7200 - 25000 |
| | Power Input (Nominal) | Watt | 925 | 1026 | 1700 | 2200 |
| | Current Input (Nominal) | Amps | 8.10 | 8.93 | 7.40 | 9.60 |
| | HSPF4 | BTU/Watt | 10 | 9.5 | 10 | 9.5 |
| | HSPF5 | BTU/Watt | 7.8 | 7.8 | 8.0 | 8.0 |
| | COP (Coefficient of Performance) | W/W | 3.11 | 3.43 | 3.10 | 3.20 |
| Electrical | Voltage | Volt | 115 | 115 | 208 - 230 | 208 - 230 |
| | Cycle | Hz | 60 | 60 | 60 | 60 |
| | Phase | Ph | 1 | 1 | 1 | 1 |
| | Minimum Circuit Ampacity | Amps | 15 | 15 | 15 | 20 |
| | Maximum Overcurrent Protect. | Amps | 20 | 20 | 20 | 25 |
| | Power Interconnection Wire | No X AWG | 16AWG X 4 Stranded, Unshielded | | | |
| | | | Power Supply (Indoor unit powered from outdoor unit) | | | |
| Ambient Temp | Indoor Air Cooling Temp Range | °F | 62 - 90 | 62 - 90 | 62 - 90 | 62 - 90 |
| | Indoor Air Heating Temp Range | °F | 32 - 86 | 32 - 86 | 32 - 86 | 32 - 86 |
| | Outdoor Air Cooling Temp Range | °F | 5 -122 | 5 -122 | 5 -122 | 5 -122 |
| | Outdoor Air Heating Temp Reange | °F | 5 - 86 | 5 - 86 | 5 - 86 | 5 - 86 |
| | Covrage Area (Cooling) | SQ Feet | 129 - 189 | 172 - 252 | 251 - 368 | 330 - 484 |
| Refrigerant Piping | Pipe Type | | Internal Thread | Internal Thread | Internal Thread | Internal Thread |
| | Pipe Connection Size (Liquor) | Inch | 1/4 | 1/4 | 1/4 | 3/8 |
| | Pipe Connection Size (Gas) | Inch | 3/8 | 1/2 | 1/2 | 5/8 |
| | Installation Method | *(Liquor/Gas)* | Blazing | Blazing | Blazing | Blazing |
| | Installation Limitation (Max. Length) | Feet | 82 | 82 | 98 | 98 |
| | Installation Limitation (Elevation) | Feet | 33 | 33 | 66 | 66 |
| | Drain Hose (Outside Diameter) | Inch | Ø 7/10 (I.D.) Ø 3/5 (O.D.) | Ø 7/10 (I.D.) Ø 3/5 (O.D.) | Ø 7/10 (I.D.) Ø 3/5 (O.D.) | Ø 7/10 (I.D.) Ø 3/5 (O.D.) |
| Pre-Charge Pipe Length | Feet | 25 | 25 | 25 | 25 | |
| Refrigerant System | Refrigerant Type | Type | R410A | R410A | R410A | R410A |
| | Factory Charge | Oz | 30 | 29.63 | 44.09 | 62.79 |
| | Additional Refrigerent | Oz/Feet | 0.161 | 0.161 | 0.161 | 0.322 |
| | Pressure | PSIG | 550/340 | 550/340 | 550/340 | 550/340 |
| | Control Method | | EEV | EEV | EEV | EEV |
| Compressor | Manufacture | | GMCC | GMCC | GMCC | GMCC |
| | Model Number | | KSK103D33UEZ3 | KSK103D33UEZ3 | KSN140D21UFZ | KTM240D57UMT |
| | Type | | Rotary | Rotary | Rotary | Rotary |
| | Compressor Control | | DC, Inverter Driven | DC, Inverter Driven | DC, Inverter Driven | DC, Inverter Driven |
| | Motor Capacity | Watt | 3100 | 3100 | 4370 | 7715 |
| | Motor Input | Watt | 790 | 790 | 1135 | 2085 |
| | Rated Current (RLA) | Amps | 6.00 | 6.00 | 7.50 | 9.45 |
| | Refrigerant Oil | Type | ESTER OIL VG74 | ESTER OIL VG74 | VG74 | VG74 |
| Oil Charge | FL Oz. | 10.48 | 10.48 | 14.88 | 22.66 | |

Specification Data Chart

| | | | | | | |
|-----------------------|----------------------------------|---------------|------------------------|------------------------|------------------------|------------------------|
| Evaporator Fan | Enclosure | | Polystyrene | Polystyrene | Polystyrene | Polystyrene |
| | Brand | | Welling | Welling | Welling | Ocean |
| | Motor Model Number | | ZKFP-20-8-113 | ZKFP-20-8-113 | ZKFP-30-8-3 | ZKFP-58-8-1 |
| | Number of Fan Speeds | | 4 | 4 | 4 | 4 |
| | Number of Rows | | 2 | 2 | 2 | 2 |
| | Number of Circuit | | 2 | 2 | 2 | 2 |
| | Pipe Type | | Copper Internal Thread | Copper Internal Thread | Copper Internal Thread | Copper Internal Thread |
| | Fin Type | | Hydrophilic Aluminum | Hydrophilic Aluminum | Hydrophilic Aluminum | Hydrophilic Aluminum |
| | Tube Type | | Inner Groove Tube | Inner Groove Tube | Inner Groove Tube | Inner Groove Tube |
| | Motor Fan Type | | Cross-Flow | Cross-Flow | Cross-Flow | Cross-Flow |
| | Motor Input | Watt | 35.2 | 35.2 | 36 | 116 |
| | Motor Output | Watt | 20 | 20 | 30 | 60 |
| | Fan Motor Rated Current (RLA) | Amps | 0.712 | 0.712 | 0.300 | 0.370 |
| | Speed (Hi/Std/Lo) | RPM | 1050 / 850 / 600 | 1050 / 850 / 600 | 1100 / 800 / 750 | 1100 / 900 / 750 |
| | Fan Size (Diameter) | Inch | 3.70 | 3.70 | 3.86 | 4.25 |
| | Fin Spacing | Inch | 0.050 | 0.050 | 0.047 | 0.050 |
| | Tube Diameter (Outside Diameter) | Inch | Ø 7/25 | Ø 7/25 | Ø 7/25 | Ø 7/25 |
| | Sound Pressure Level (Hi/Std/Lo) | dB(A) | 38 / 32 / 25 | 38 / 32 / 25 | 43 / 35 / 30.5 | 48 / 42.5 / 34 |
| | Air Volume (Hi/Std/Lo) | CFM | 247 / 182 / 129 | 247 / 182 / 129 | 449 / 97 / 393 / 262 | 706 / 588 / 450 |
| | Fin Pitch | FPI | 2 | 2 | 2 | 2 |
| Tube X Row | Inch | 0.827 X 0.526 | 0.827 X 0.526 | 0.827 X 0.526 | 0.827 X 0.526 | |

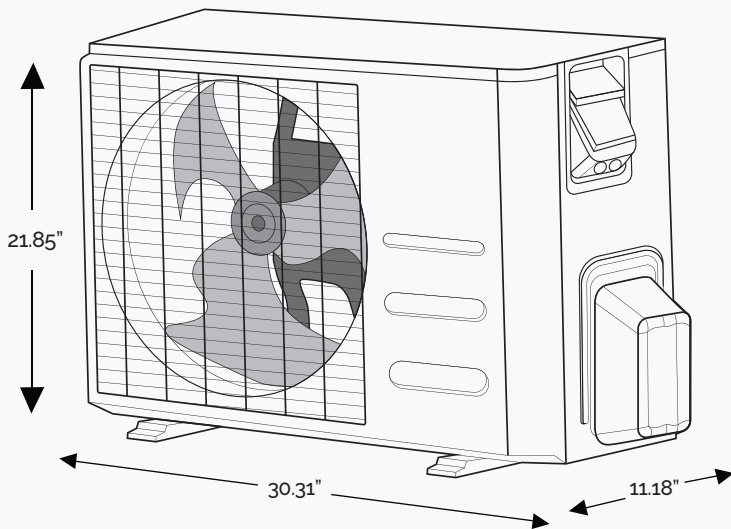
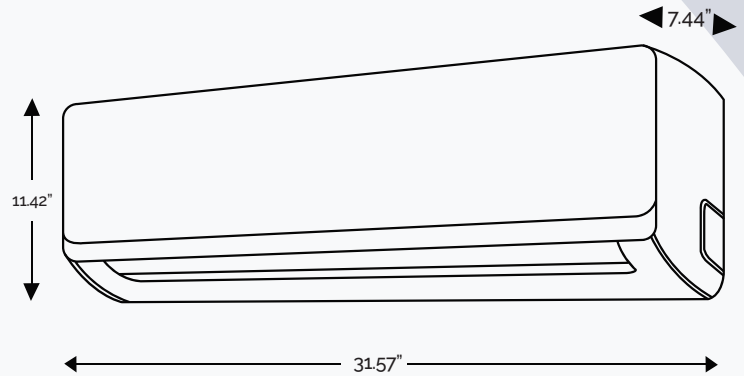
| | | | | | | |
|----------------------|----------------------------------|---------------|--------------------------|--------------------------|--------------------------|--------------------------|
| Condenser Fan | Enclosure | | Painted Galvanized Steel | Painted Galvanized Steel | Painted Galvanized Steel | Painted Galvanized Steel |
| | Motor Model Number | | ZKFN-34-8-1-3 | ZKFN-34-8-1-3 | ZKFN-34-8-1-3 | ZKFN-50-8-23 |
| | Number of Fan Speeds | | 4 | 4 | 4 | 4 |
| | Number of Rows | | 1 | 1 | 2 | 2 |
| | Number of Circuit | | 2 | 2 | 4 | 4 |
| | Pipe Type | | Copper Internal Thread | Copper Internal Thread | Copper Internal Thread | Copper Internal Thread |
| | Fin Type | | Hydrophilic Aluminum | Hydrophilic Aluminum | Hydrophilic Aluminum | Hydrophilic Aluminum |
| | Tube Type | | Inner Groove Tube | Inner Groove Tube | Inner Groove Tube | Inner Groove Tube |
| | Motor Fan Type | | DC, Inverter Driven | DC, Inverter Driven | DC, Inverter Driven | DC, Inverter Driven |
| | Motor Input | Watt | 58 | 58 | 58 | 50 |
| | Motor Output | Watt | 34 | 34 | 34 | 115 |
| | Fan Motor Rated Current (RLA) | Amps | 0.390 | 0.390 | 0.390 | 0.500 |
| | Speed (Hi/Std/Lo) | RPM | 850 / 650 | 850 / 650 | 800 / 750 / 650 | 800 / 750 / 650 |
| | Fan Size (Diameter) | Inch | 16.73 | 16.89 | 16.89 | 19.29 |
| | Fin Spacing | Inch | 0.047 | 0.047 | 0.047 | 0.047 |
| | Tube Diameter (Outside Diameter) | Inch | Ø 7/25 | Ø 7/25 | Ø 7/25 | Ø 7/25 |
| | Sound Pressure Level (Hi/Std/Lo) | dB(A) | 52 | 55 | 57.5 | |
| | Air Volume (Hi/Std/Lo) | CFM | 1176.47 | 1176.47 | 1176 | 1823 |
| | Winding Resistance | Ω | 77.3 | 77.3 | 77.3 | 37.3 |
| | Fin Pitch | FPI | 1 | 1 | 2 | 2 |
| Tube X Row | Inch | 0.828 X 0.866 | 0.828 X 0.866 | 0.828 X 0.866 | 0.828 X 0.866 | |
| Dehumidification | Pints/Hours | 1.9 | 2.5 | 3.8 | 5.0 | |

Control Features

| | | | |
|------------------------------------|-----------------|------------------------------|-------|
| 24-Hour ON/OFF Time | ✓ Yes | 4-Way Auto Swing | ✓ Yes |
| Air Direction Control (Vertical) | ✓ Swing | 8° C Heating | ✓ Yes |
| Air Direction Control (Horizontal) | ✓ Manual | Auto Changeover | ✓ Yes |
| Auto Fan | ✓ Yes | Auto Restart | ✓ Yes |
| Control | ✓ Remote | Condensate Sensor Connection | ✓ Yes |
| Filter Access | ✓ Slide | Follow Me | ✓ Yes |
| Filter Type | ✓ Antimicrobial | Self-Cleaning | ✓ Yes |
| Low Voltage Start-Up | ✓ Yes | Silent Mode | ✓ Yes |
| Sleep Mode | ✓ Yes | Smart Diagnosis | ✓ Yes |
| Turbo Mode | ✓ Yes | Eco Mode | ✓ Yes |

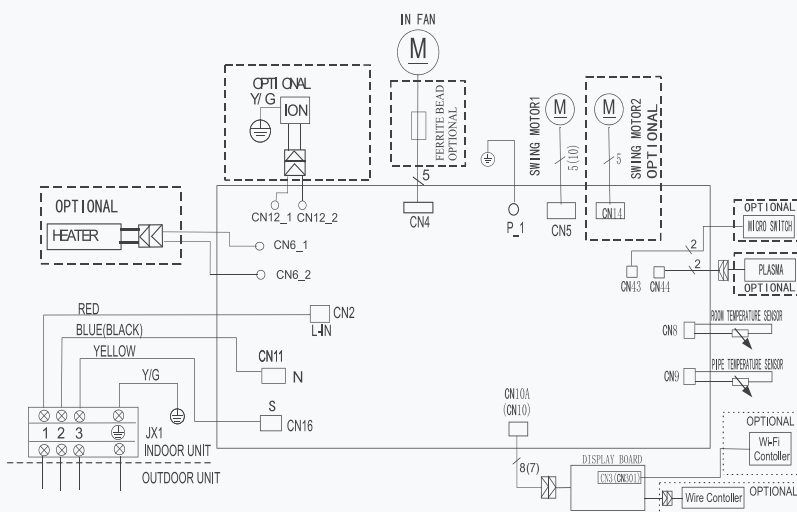
Product Dimension

| Condensing Unit Dimension (Inch) | | | | Weight (LB) |
|----------------------------------|-----------|-----------|-----------|-------------|
| Model Number | Heigh (H) | Width (W) | Depth (D) | Weight |
| CA09-OD-19 | 21.85 | 30.31 | 11.81 | 66.80 |
| CA12-OD-19 | 21.81 | 31.50 | 13.11 | 70.33 |
| CA18-OD-19 | 21.81 | 31.50 | 13.11 | 79.80 |
| CA24-OD-19 | 30.12 | 37.99 | 15.55 | 105.16 |

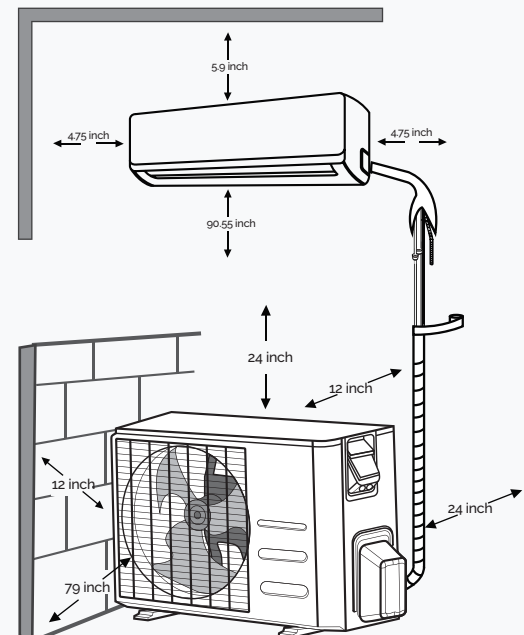


| Evaporator Unit Dimension (Inch) | | | | Weight (LB) |
|----------------------------------|-----------|-----------|-----------|-------------|
| Model Number | Heigh (H) | Width (W) | Depth (D) | Weight |
| CA09-ID-19 | 11.42 | 28.43 | 7.36 | 17.20 |
| CA12-ID-19 | 11.69 | 31.57 | 7.44 | 18.96 |
| CA18-ID-19 | 12.56 | 37.99 | 8.46 | 24.03 |
| CA24-ID-19 | 13.19 | 42.52 | 8.90 | 30.20 |

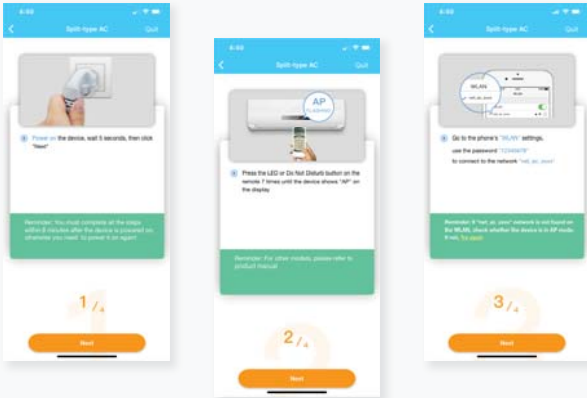
Connecting Diagram Between the Condenser Unit and the Evaporator Unit



Minimum Distance Between the Wall and Ceiling



General Wi-Fi Control Information

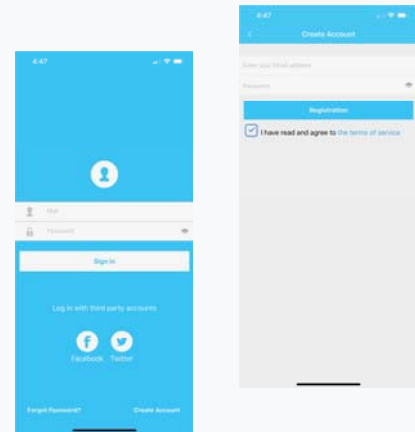


Wi-Fi Kit

CoolTime series HVAC systems have a smart Wi-Fi kit installed in the indoor unit. This built-in Wi-Fi kit grants users total control over their HVAC system through the "NetHome Plus" app which can be downloaded on mobile devices, tablets and computers. The setup is simple – users scan the QR code on their CoolTime series HVAC system to the app, register their system online, and then create an account.

Compatibility with Android and iOS

CoolAir's "NetHome Plus" app is very user-friendly and compatible with all smart phone (Android 4.0 or above) and iOS (8.0 or above) devices. This app can be downloaded from the Google Play Store or the Apple App Store.



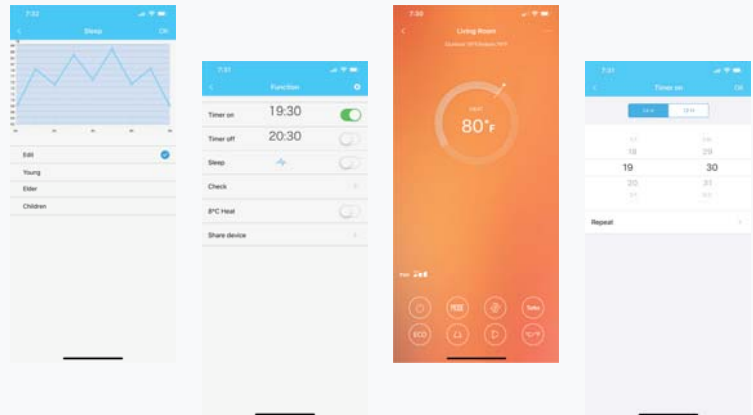
Wi-Fi Control Features

Basic Control & Monitoring

The NetHome Plus app keeps the user aware of all the information on their HVAC system while it is operating. Users can see the functioning mode, set temperature, room temperature, fan speed and lower swing function on the NetHome Plus app and can easily modify or adjust these settings with the touch of a finger.

Timer ON & OFF Feature

The Timer ON/OFF feature allows users to schedule when they want to power ON or power OFF their device during select days and time. This feature helps save energy and reduces one's electricity bill by making efficient use of your CoolTime HVAC system.



Sleep Curve Function

There is a special "Sleep Curve" function provided within the NetHome Plus app. The user can customize their desired overnight temperature or can choose from 3 specially designed sleep modes for people of different age groups.

